

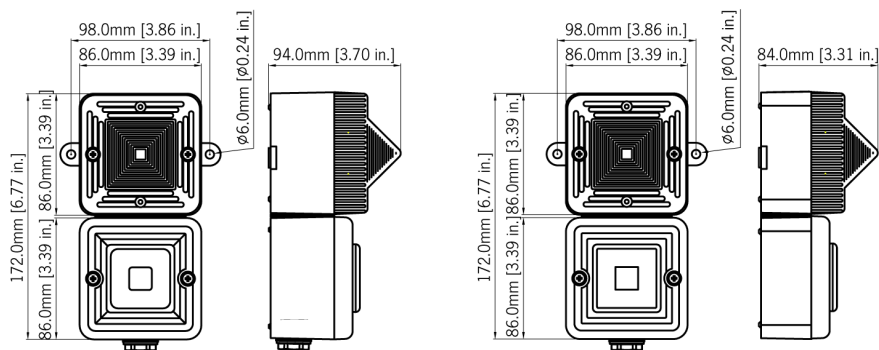
Features

- High output L.E.D array
- Automatic synchronisation on multi-sounder system.
- Continuously rated.
- Stainless steel fixings.
- Mounting via internal BESA compatible fixing positions or via external mounting lugs.
- Duplicate cable terminations (in & out for daisy-chain installations).
- Tropicalisation available on request.
- Available with custom tone configurations and frequencies.

Approvals

- SONF1 sounder: VdS approved to EN54-3 (CPD 89/106/EEC).
- GOST-R approved. Cert: POCC GB-JB05-H00144.
- UL & cULus approved: General signalling use.





Specification

Sounder:

| | |
|------------------|---|
| Maximum output: | 100dB(A) @ 1 metre [91dB(A) @ 10ft/3m] |
| Nominal output: | 99dB(A) @ 1m +/- 3dB - Tone 1 [90dB(A) @ 10ft/3m] |
| No. of tones: | 10 (UK00A / PFEER compliant) |
| No. of stages: | 2 |
| Volume control: | On board potentiometer |
| Effective range: | 30m/99ft @ 1KHz |

Beacon:

| | |
|------------------------------|--|
| Light source: | High intensity L.E.D. array. 24 x Superflux type high output L.E.D's |
| Options: | Steady or 2Hz flash mode (on board selection) |
| Peak/Effective Intensity cd: | Green L.E.D: 176cd - measured ref. to I.E.S. |
| Terminals: | 0.5 to 4.0mm ² cables |
| L.E.D. colours: | Amber Blue, Green, Red and White |
| Lens colour: | All L.E.D. colours use a Clear lens to maximise output and to ensure the signal is most effective in high ambient light. |

General:

| | |
|---------------------|--|
| Voltages DC: | 12Vdc; 24V dc |
| Voltages AC: | 115V ac; 230V ac |
| Ingress protection: | IP66 |
| Housing material: | High impact UL94 V0 & 5VA FR ABS |
| Colour: | Red (RAL3000), grey (RAL7038) & white. |
| Lens material: | PC |
| Cable entries: | 4 x M20 clearance gland knockouts in side & back |
| Terminals: | 0.5 to 1.5mm ² cables. |
| Operating temp: | -25 to +55°C [-13° to +131°F] |
| Storage temp: | -40 to +70°C [-40° to +158°F] |
| Relative humidity: | 90% at 20°C [68°F] |
| Weight: | 0.50kg/1.1lbs |

*SPL data +/-3dB(A). Measured at optimum voltage.

*Candela measurements representative of performance with clear lens at optimum voltage.

Part Codes

| | |
|----------|---------------------|
| Version: | Part code: |
| 24V dc | SONFL1HDC024[x]/[y] |
| 115V ac | SONFL1HAC115[x]/[y] |
| 230V ac | SONFL1HAC230[x]/[y] |

[x] = Enclosure colour:
G: Grey (RAL7038)
R: Red (RAL3000)
W: White

[y] = Light colour:
A: Amber
B: Blue
W: Clear (White)
G: Green
R: Red

Suffix part number with 'UL' for UL approved version.

Alarm Sounder

| Version: | Voltage: | Current: |
|-----------------|-----------|----------|
| 24V dc | 10-30V dc | 25mA* |
| 115V ac 50/60Hz | +/-10% | 13mA |
| 230V ac 50/60Hz | +/-10% | 13mA |

* current at nominal voltage on Tone 2

L.E.D. Beacon

| Version: | Voltage: | Current: |
|---------------------|---------------|------------------|
| 24V dc | 10-30V dc | 155mA (@ 24V dc) |
| 115/230V ac 50/60Hz | 90-260V ac/dc | 35mA (@230V ac) |

Tone table

S 1 Description

| S 1 | Description | S 2 |
|------|---|------|
| T 1 | 800/1000Hz @ 0.25 sec Alternating | T 8 |
| T 2 | 500/1200Hz @ 0.3Hz 0.5 sec Slow Whoop | T 1 |
| T 3 | 1200/500Hz @ 1Hz - DIN / PFEER P.T.A.P. | T 8 |
| T 4 | 544Hz (100mS)/440Hz (400mS) - NF S 32-001 | T 9 |
| T 5 | Bell | T 1 |
| T 6 | 800/1000Hz @ 7Hz Sweeping | T 8 |
| T 7 | 500-1200Hz 3.75sec /0.25sec. Australian Evac. | T 10 |
| T 8 | \2.1000Hz Continuous - PFEER Toxic Gas | |
| T 9 | \2.Continuous 554Hz | |
| T 10 | \2.420Hz @ 0.625 sec Australian Alert | |

\4.AC
Version
(Single
stage
only):

| S1 | \2.Description |
|------|--|
| T 1 | \2.800/1000Hz @ 0.25 sec Alternating |
| T 2 | \2.500/1200Hz @ 0.3Hz 0.5 sec Slow Whoop |
| T 3 | \2.1200/500Hz @ 1Hz - DIN / PFEER P.T.A.P. |
| T 4 | \2.544Hz (100mS)/440Hz (400mS) - NF S 32-001 |
| T 5 | \2.1000Hz Continuous - PFEER Toxic Gas |
| T 6 | \2.Bell |
| T 7 | \2.800/1000Hz @ 7Hz Sweeping |
| T 8 | \2.2400/2900Hz @ 50Hz Sweeping |
| T 9 | \2.420Hz @ 0.625 sec Australian Alert |
| T 10 | \2.500-1200Hz 3.75sec /0.25sec. Australian Evac. |